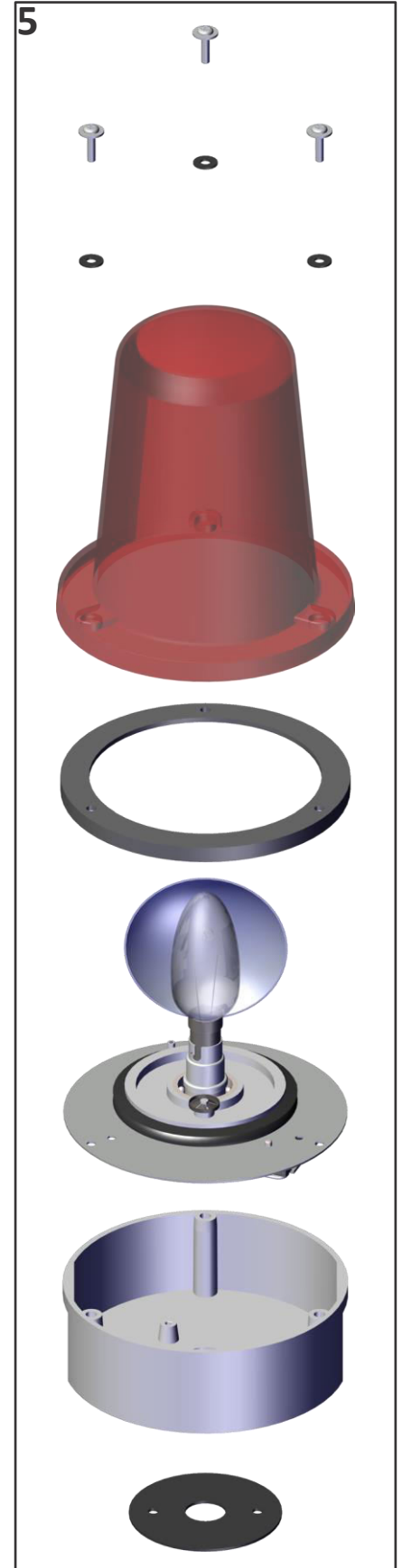
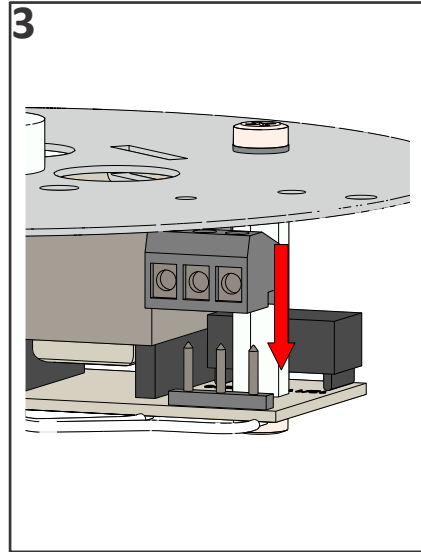
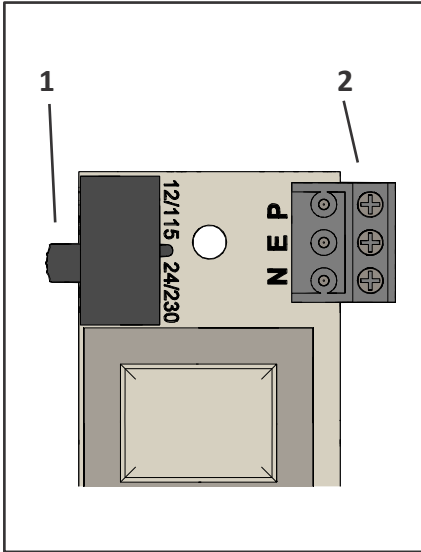

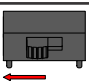
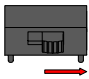


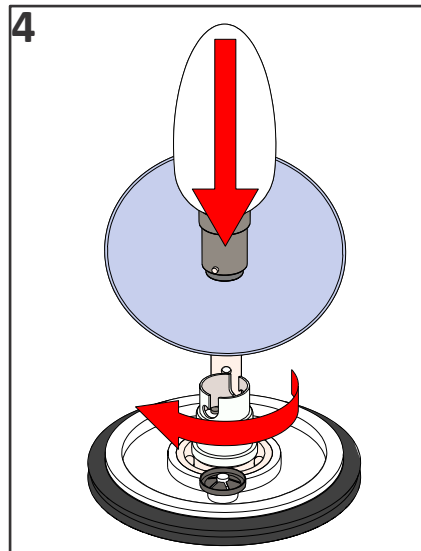


Luz Giratoria Espejo RFE/B15D

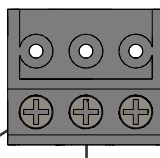


1 

| | |
|---|------------|
|  | RFE/DC/12 |
|  | RFE/DC/24 |
| n/a | RFE/AC/24 |
|  | RFE/AC/115 |
|  | RFE/AC/230 |



2

| |  | | |
|-----------------|---|---|----------------|
| RFE/DC/12/B15D | -ve (0V) | | +ve (24Vdc) |
| RFE/DC/24/B15D | -ve (0V) | | +ve (24Vdc) |
| RFE/AC/24/B15D | N | E | P (24Vac) |
| RFE/AC/115/B15D | N | E | P (115Vac) |
| RFE/AC/230/B15D | N | E | P (230Vac) |