

**BMVBW Low Intensity W,rot
170 cd red LED obstacle light, 48 Vdc operating voltage****Key features**

- Based on LED-technology
- Extremely reliable - long lifetime
- Suitable for off-shore use
- Very low power consumption
- Stabilised light output
- Lightweight and small – low wind load factor
- Easy to install, several mounting sets available
- Two cable glands, easy to chain without external terminal boxes
- Long maintenance intervals
- Very low total lifetime costs
- No RF-radiations
- Five (5) years warranty
- Patented

Specification met

BMVBW LS 11/60.01.87-01/5 Va 02, 24. September 2002

Optical characteristics

- Nominal intensity 100 cd effective, 170 cd peak
- Colour aviation red
- Horizontal radiation pattern 360°
- Vertical minimum peak intensities with flashing mode:
 - +0,° -0°: 170 cd
 - +5,° -5°: 170 cd
 - +10,° -10°: 34 cd
 - +15,° -15°: 3.4 cd
- Expected lifetime without light output falling 30% >100 000 h

Electrical characteristics

- Operating voltage range 27...60 VDC
- Power consumption 10 W
- Current for the LEDs is stabilised by constant current generator
- Overvoltage protection

Mechanical characteristics

- Anodized marine grade aluminium body and end parts
- AISI 316 acid proof steel screws
- Colourless (clear) glass cover
- Terminal box for 1,5 - 6 mm² wires
- Degree of protection IP 65
- Operating temperature range -55°C to +55°C
- Height 210 mm, diameter 104 mm, weight 1.1 kg
- Wind load with MS-EV60 mounting kit @ 200 km/h less than 40 N

Made in Finland



Obelux LI-170-048-PCFL LED obstacle light

Options

- Mounting kits

Order Code:

Obelux LI-170-048-PCFL

**OPERATING VOLTAGE****48 VDC****CAUTION ! LED RADIATION**DO NOT STARE INTO LED BEAM OR VIEW
DIRECTLY WITH OPTICAL INSTRUMENTS.
CLASS 2A LED PRODUCT

Technical information in this document is subject to change without notice. Copyright © Obelux Oy 2012

**BMVBW Low Intensity W,rot
170 cd red LED obstacle light, 48 Vdc operating voltage**

ELECTRICAL INSTALLATION INSTRUCTIONS

Obelux LI-170-048-PCFL has two cable glands for easy chaining without external distribution boxes

Obelux LI-170-048-PCFL is an obstacle light utilizing LED technology. The cabling and installation principles are similar to those of conventional obstacle lights.

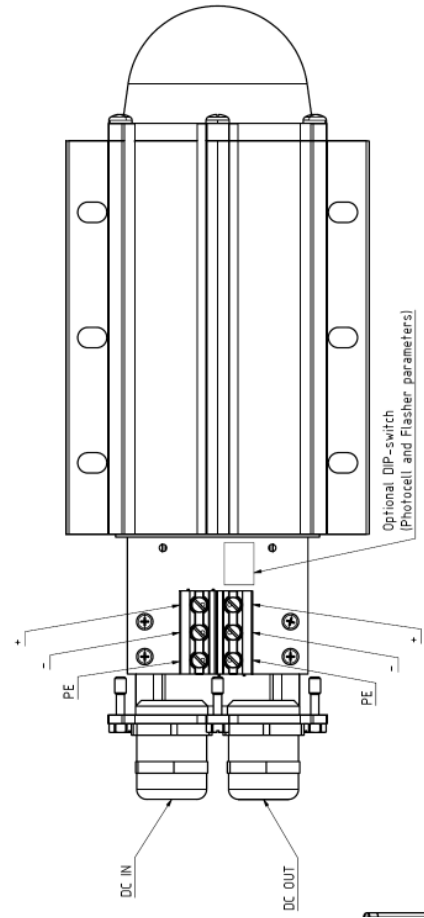
Connection can be protected with a 6 A or 10 A fuse or with a circuit breaker (C curve).

Installation specifications

- Cable gland: M25
- Cable diameter: 11 to 17 mm
- Wire diameter: max. 6 mm²
- Recommended cable: 3x1.5 mm² or 3x2.5 mm²

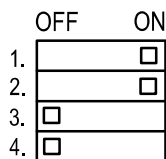
Options

- **CGS-20:** Smaller cable glands
Set include 2 pcs M20 cable glands with M25-M20 adapters for 7-13 mm cables

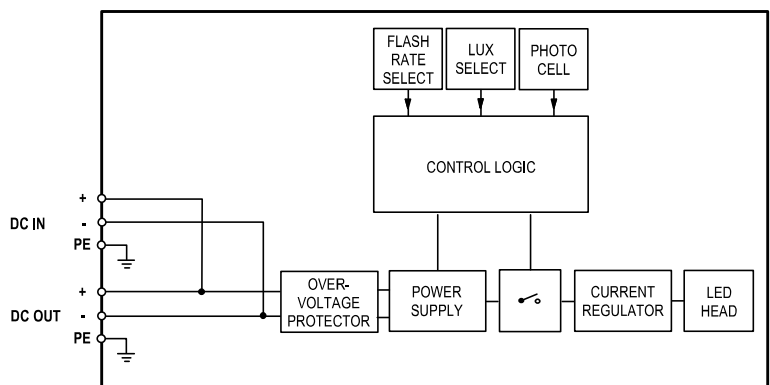


PCFL DIP switches

DIP1	DIP2	PHOTOCELL	DIP3	DIP4	FLASH RATE
OFF	OFF	OFF (light always ON)	OFF	OFF	WROT
ON	OFF	200 lux	ON	OFF	20 fpm
OFF	ON	400 lux	OFF	ON	40 fpm
ON	ON	800 lux	ON	ON	60 fpm



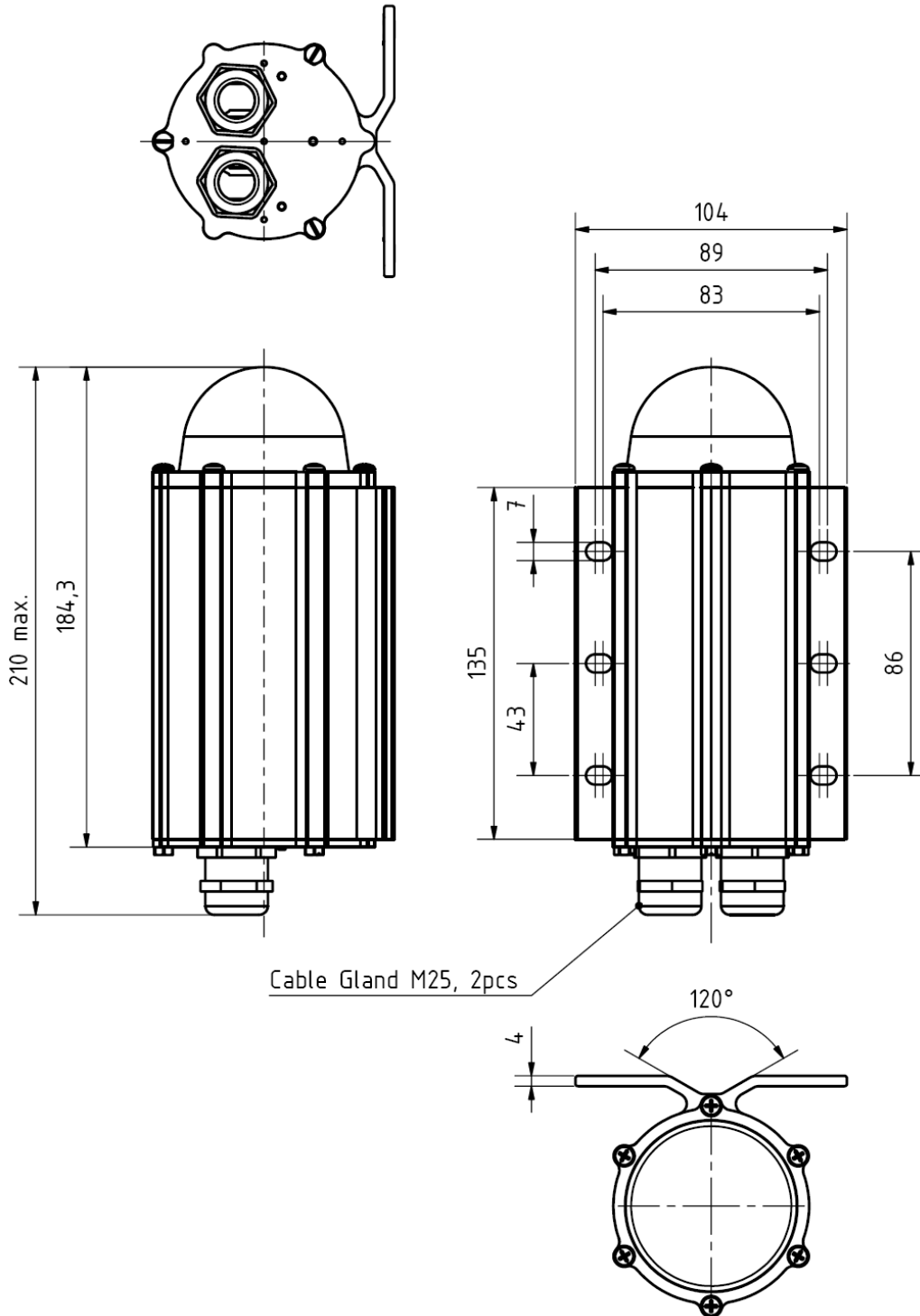
**Default DIP settings:
800 lux, Wrot**



LI-170-048-PCFL block diagram

Technical information in this document is subject to change without notice. Copyright © Obelux Oy 2012

Mechanical dimensions



Technical information in this document is subject to change without notice. Copyright © Obelux Oy 2012

**BMVBW Low Intensity W,rot
170 cd red LED obstacle light, 48 Vdc operating voltage**

There are several types of mounting sets available as option:

Obelux MS-HV80

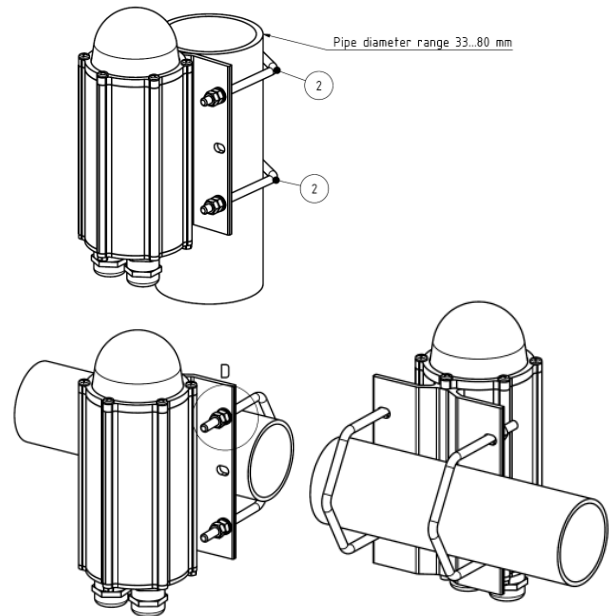
Mounting set for 33-80 mm vertical or horizontal pipe

Mounting set include:

- 2 pcs M6 U-bolt
- 8 pcs M6 hex nut
- 4 pcs 6/12 mm washer

All parts AISI 316 acid proof steel
More detailed mechanical data: MS-HV80 datasheet

Order Code: **MS-HV80**

**Obelux MS-EV60**

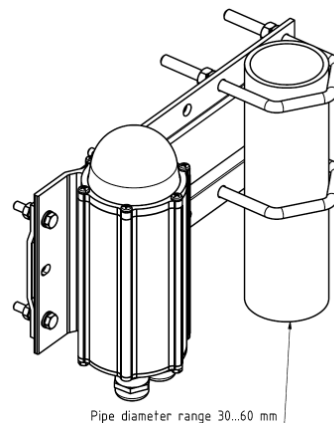
Mounting set with extension plate
for 30-60 mm vertical pipe installation

Mounting set include:

- 2 pcs M8 U-bolt, 8 pcs M8 hex nut
- 4 pcs M6x30 bolt, 8 pcs M6 hex nut, 4 pcs 6/12 washer
- 1 pcs extension plate

Extension plate marine grade anodized aluminium,
other parts AISI 316 acid proof steel
More detailed mechanical data: MS-EV60 datasheet

Order Code: **MS-EV60**

**Obelux MS-EV100:**

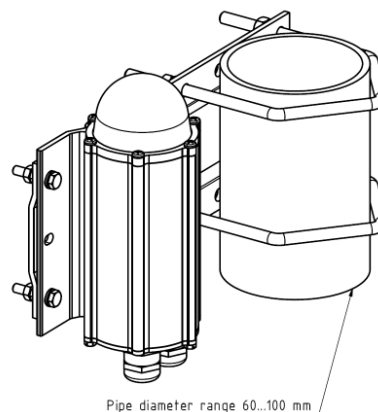
Mounting set with extension plate
for 60-100 mm vertical pipe installation

Mounting set include:

- 2 pcs M8 U-bolt, 8 pcs M8 hex nut
- 4 pcs M6x30 bolt, 8 pcs M6 hex nut, 4 pcs 6/12 washer
- 1 pcs extension plate

Extension plate marine grade anodized aluminium,
other parts AISI 316 acid proof steel
More detailed mechanical data: MS-EV100 datasheet

Order Code: **MS-EV100**



Technical information in this document is subject to change without notice. Copyright © Obelux Oy 2012

**BMVBW Low Intensity W,rot
170 cd red LED obstacle light, 48 Vdc operating voltage****Obelux MS-EV150:**

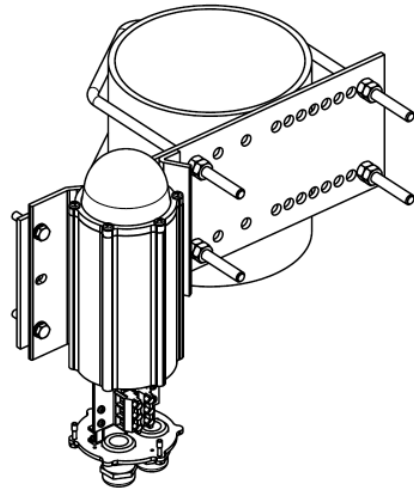
Mounting set with extension plate
for 100-150 mm vertical pipe installation

Mounting set include:

- 2 pcs M8 U-bolt, 8 pcs M8 hex nut
- 4 pcs M6x30 bolt, 8 pcs M6 hex nut, 4 pcs 6/12 washer
- 1 pcs extension plate

Extension plate hot dipped galvanised steel,
other parts AISI 316 acid proof steel
More detailed mechanical data: MS-EV150 datasheet

Order Code: **MS-EV150**

**Obelux MS-DEV60:**

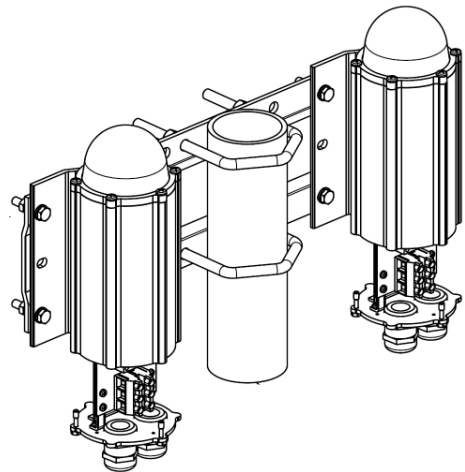
Double mounting set with extension plate
for 30-60 mm vertical pipe installation

Mounting set include:

- 2 pcs M8 U-bolt, 8 pcs M8 hex nut
- 8 pcs M6x30 bolt, 16 pcs M6 hex nut, 8 pcs 6/12 washer
- 1 pcs extension plate

Extension plate marine grade anodised aluminium,
other parts AISI 316 acid proof steel
More detailed mechanical data: MS-DEV60 datasheet

Order Code: **MS-DEV60**

**Obelux MS-DEV100:**

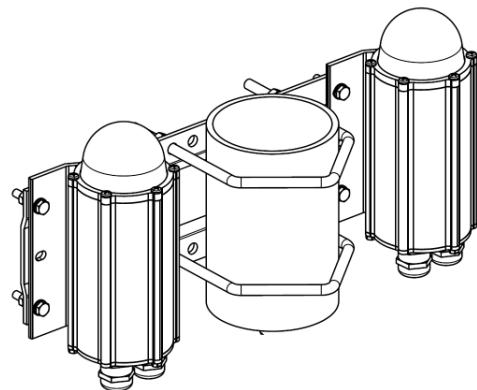
Double mounting set with extension plate
for 60-100 mm vertical pipe installation

Mounting set include:

- 2 pcs M8 U-bolt, 8 pcs M8 hex nut
- 8 pcs M6x30 bolt, 16 pcs M6 hex nut, 8 pcs 6/12 washer
- 1 pcs extension plate

Extension plate marine grade anodised aluminium,
other parts AISI 316 acid proof steel
More detailed mechanical data: MS-DEV100 datasheet

Order Code: **MS-DEV100**



Technical information in this document is subject to change without notice. Copyright © Obelux Oy 2012

**BMVBW Low Intensity W,rot
170 cd red LED obstacle light, 48 Vdc operating voltage****Obelux MS-RW**

Mounting set for horizontal plate or wall installation

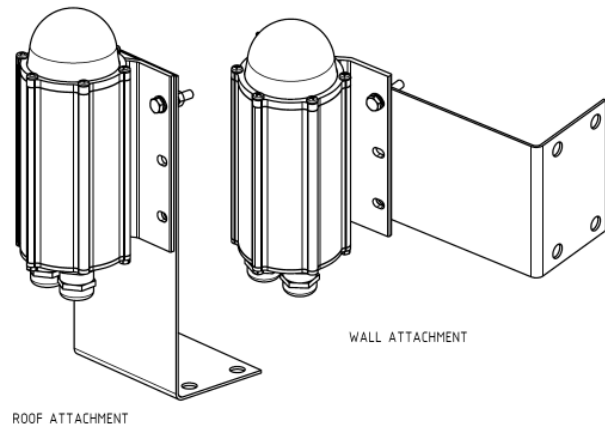
Mounting set include:

- 4 pcs M6x30 bolt, 8 pcs M6 hex nut, 4 pcs 6/12 washer
- 1 pcs L-shape 2 mm plate

All parts AISI 316 acid proof steel

More detailed mechanical data: MS-RW datasheet

Order Code: **MS-RW**

**Obelux MS-LVU**

Mounting set for L and V -shape profiles

Mounting set include:

- 1 set accessories for light unit fitting to plate
- 1 pcs extension plate with adjusting plate and accessories

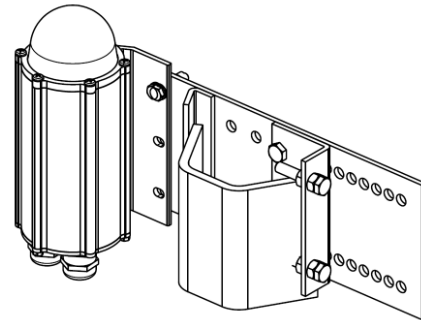
Extension plate hot dip galvanized steel, other parts

AISI 316 acid proof steel

More detailed mechanical data: MS-LVU datasheet

Order Code: **MS-LVU** (with galvanized extension plate)

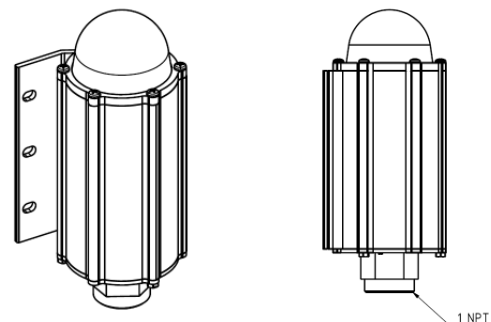
MS-LVA (with AISI 316 extension plate)

**Obelux MS-N1B**

Mounting set for 1" NPT at bottom

More detailed mechanical dimensions: MS-N1B dataheet

Order Code: **MS-N1B**



Technical information in this document is subject to change without notice. Copyright © Obelux Oy 2012